

CREALITY



Create reality, achieve dreams

K1

K1

3D Printer User Manual

V1.0

Thank you for choosing our products. For the best experience, please read this User Manual carefully and strictly follow the instructions to operate the printer. Our teams will always be ready to provide you with the best services. Please contact us via the phone number or e-mail address provided at the end of this User Manual when you encounter any problem with the printer. For a better experience in using our products, you can also learn how to use the printer in the following ways: Accompanied instructions: you can find the relevant instructions and videos in the USB flash disk.

You can also visit our official website (<https://www.creality.com>) to find information regarding software, hardware, contact information, device instructions, device warranty information, and more.

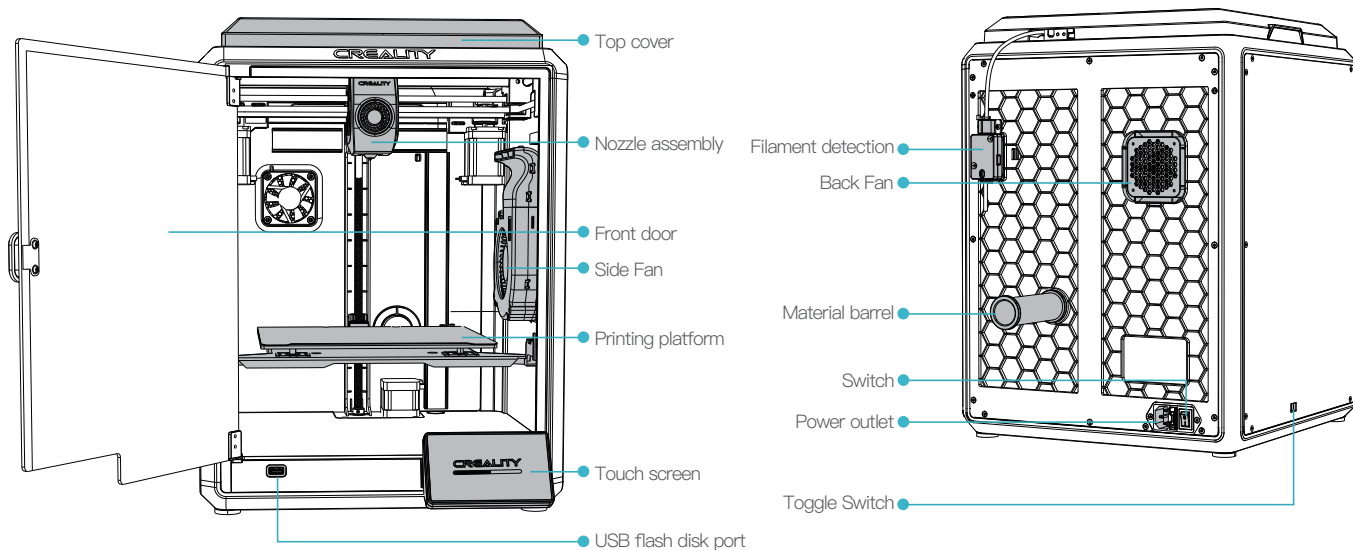
NOTES

- 1 Do not use the printer in any way other than described herein in order to avoid personal injury or property damage;
- 2 Do not place the printer near any heat source or flammable or explosive objects. We suggest placing it in a well-ventilated, cool and dustless environment;
- 3 Do not expose the printer to a violent vibration or any other unstable environment, as this may cause poor print quality;
- 4 Please use recommended filaments to avoid clogging of the extrusion head and causing damage to the machine;
- 5 Do not use the power cable of other products during installation. Always use a grounded three-prong power outlet, which accompanies the printer;
- 6 Do not touch the nozzle and the heated bed during operation to avoid burns or personal injury;
- 7 Do not wear gloves or wraps while operating the machine to prevent entrapment of movable parts that could cause crushing and cutting injuries to bodily parts;
- 8 Use the provided tools to clean the filament from the extruder in time taking advantage of the residual temperature after printing. Do not touch the extruder directly when cleaning, otherwise it may cause burns;
- 9 Clean the printer frequently. Clean the printer body with a dry cloth regularly after powering off the printer, wipe away dust, bonded print filament and foreign objects on the guide rails;
- 10 Children under 10 years old should not use the printer without supervision, otherwise it may cause personal injury;
- 11 Users should comply with the laws and regulations of the corresponding countries and regions where the equipment is located (used), abide by professional ethics, pay attention to safety obligations, and strictly prohibit the use of our products or equipment for any illegal purposes; Creality will not be responsible for any violators' legal liability under any circumstance;
- 12 Tip: Do not plug in or unplug wires on a charged basis.

1. About the Device	01-03
1.1 About the Printer	01-01
1.2 Device Specifications	02-02
1.3 Packing List	03-03
2. Unboxing	04-08
2.1 Unpacking Steps	04-05
2.2 Install the Product	06-07
2.3 Power-on guide	08-08
3. About the User Interface	09-11
3.1 Main、Prepare	09-09
3.2 Files	10-10
3.3 Tune、Support	11-11
4. First Printing	12-15
4.1 USB flash disk Printing	12-12
4.2 LAN Printing	13-15
5. Functional Specification	16-16
5.1 Extrude、Filament Retreat	16-16
6. Tips and Routine Maintenance	17-20
6.1 Maintenance Items	17-17
6.2 Error Code Instructions	18-18
6.3 Precautions for printing	19-20

1. About the Device

1.1 About the Printer



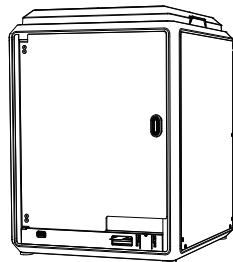
1. About the Device

1.2 Device Specifications

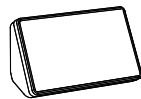
Basic Parameters	
Product Model	K1
Dimensions	355*355*480mm
Machine Weight	12.5kg
Max. Build Dimensions	220*220*250mm
Print Technology	FDM
Rated Voltage	100–120V~/200–240V~, 50/60Hz
Rated Power	350W
Ambient temperature	10°C–30°C / 50°F–86°F
Extruder	Sprite Direct Drive
Supported Filament	PLA/TPU/PETG/ABS/PET/Carbon
Max. Heated Bed Temperature	100°C
Max. Nozzle Temperature	300°C
User Interface	4.3 inch touch screen
Print Interface	USB Flash Disk/LAN Printing
Power Loss Recovery	Yes
Filament Detection	Yes
Auto leveling	Yes

1. About the Device

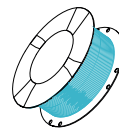
1.3 Packing List



1 Printer



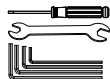
2 Touch screen



3 Filament



Tool Box List



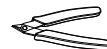
4 Wrench and Screwdriver x1



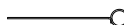
5 Blade x1



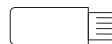
6 Material barrel x1



7 Cutting plier x1



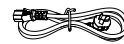
8 1.2mm nozzle cleaner x1



9 USB flash disk x1



10 Lubricating Grease x1



11 Power Cable x1



12 M6 socket spanner x1



13 Glue Stick x1



14 Quick Guide x1

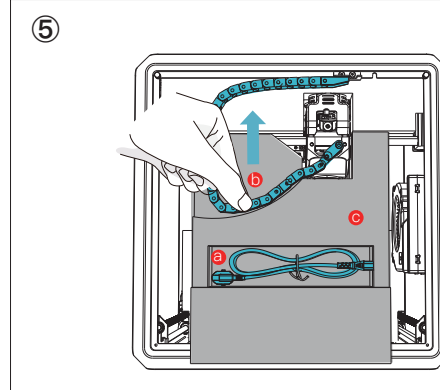
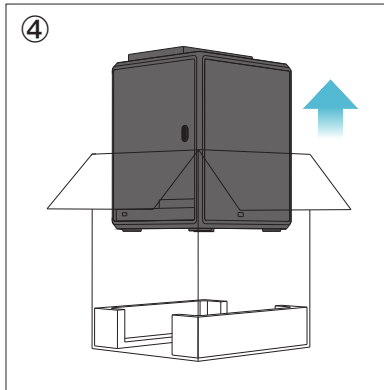
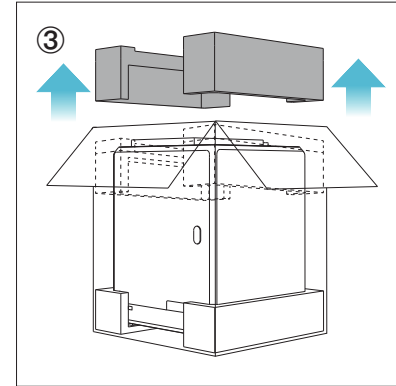
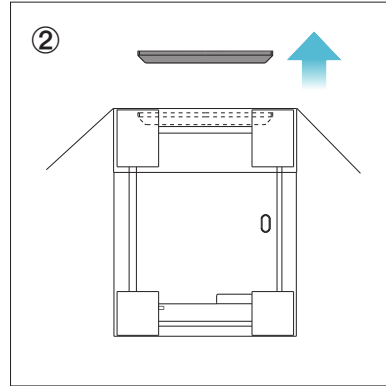
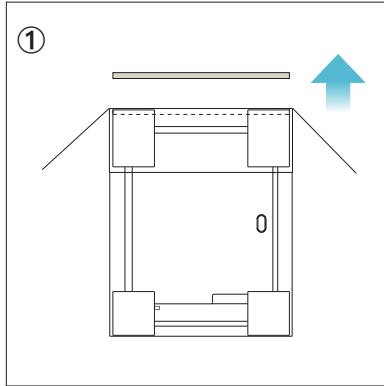


15 After-sales Services Card x1

* Tips: the above accessories are for reference only. Please refer to the physical accessories!

2. Unboxing

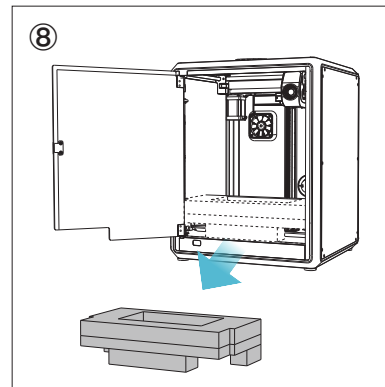
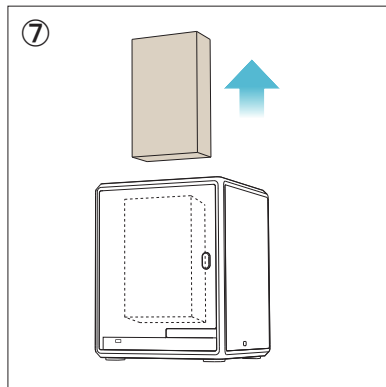
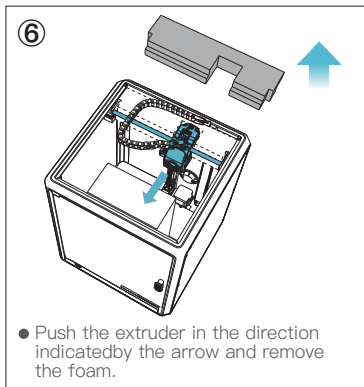
2.1 Unpacking Steps



- Ⓐ Take out the power cord;
- Ⓑ Move the chain to one side in the direction indicated by the arrow;
- Ⓒ Finally, take the grey foam as shown.

2. Unboxing

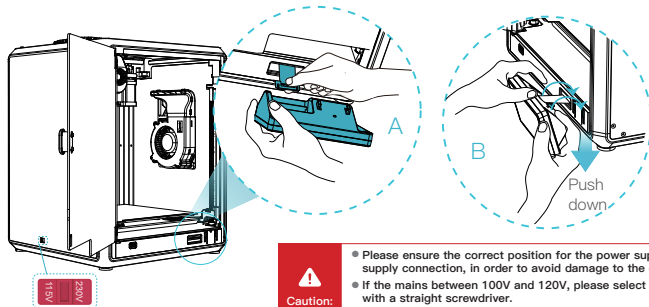
2.1 Unpacking Steps



2. Unboxing

2.2 Install the Product

① Take the touch screen out of the tool box and connect the touch screen to the flat cable extended from the base according to Figure A. Then snap the touch screen into the slot in the baseplate, as shown in Figure B. (The direction is as shown in the figure; otherwise, the screen interface may be damaged.)



Caution:

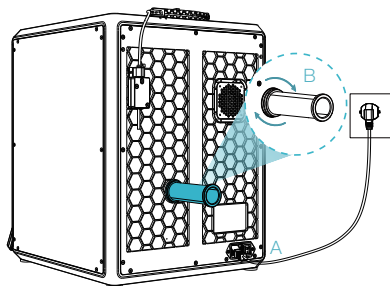
- Do not power up the machine while you are connecting or disconnecting the touch screen.
- The flexible flat cable of the base is pulled lightly and broken carefully.



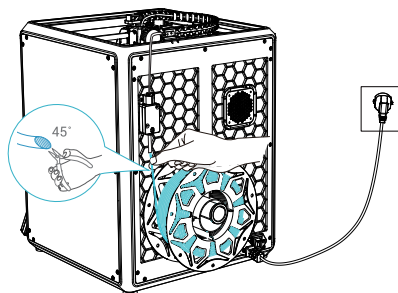
Caution:

- Please ensure the correct position for the power supply switch and mains before supply connection, in order to avoid damage to the device.
- If the mains between 100V and 120V, please select the 115V for the power supply switch with a straight screwdriver.
- If the mains between 200V and 240V, please select the 230V for the power supply switch (default is 230V) with a straight screwdriver.

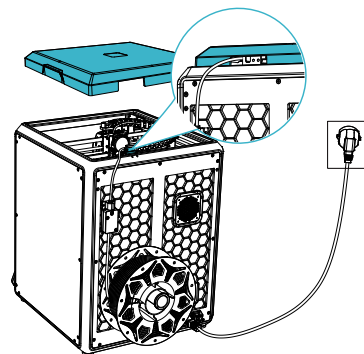
② A: Connection and power on.
B: Install the material barrel.



③ Load filaments.
(Insert the filaments into the deepest part of Teflon tube until it cannot be moved.)



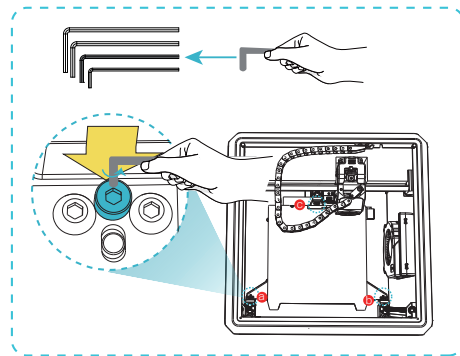
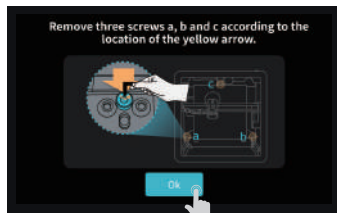
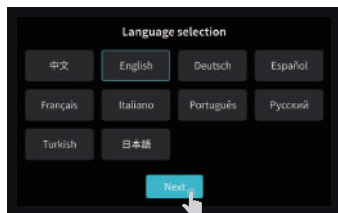
④ Install the top cover.



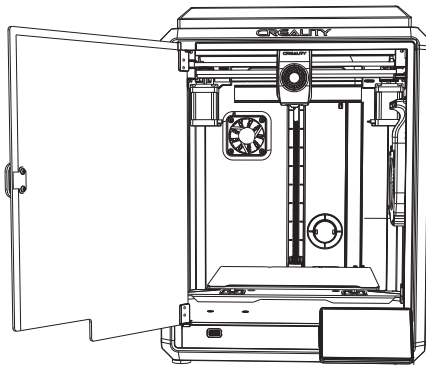
2. Unboxing

2.2 Install the Product

- ⑤ Select a language and click "Next", Remove three screws a, b and c according to position indicated by the yellow arrow. click "OK" on the screen.

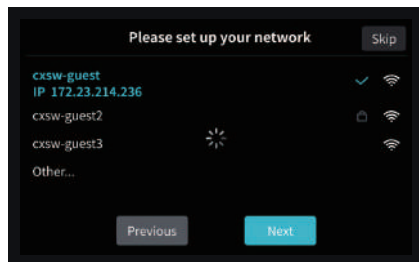


- ⑥ Keep the blue cube in the figure clean of debris and then click "OK".

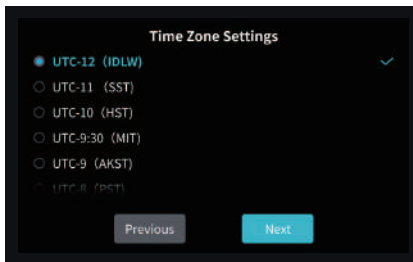


2. Unboxing

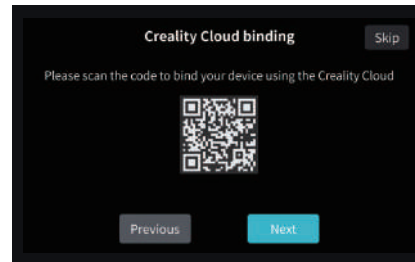
2.3 Power-on guide



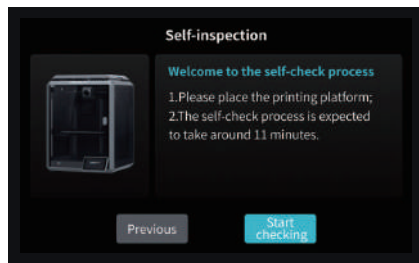
① Network Settings



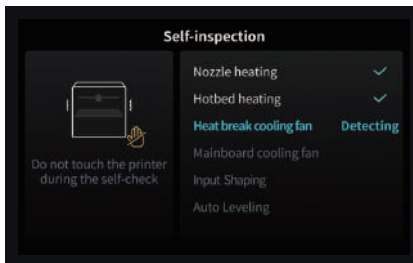
② Time Zone Settings



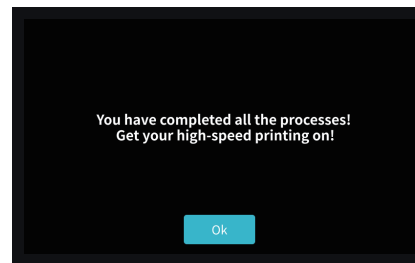
③ Creality Cloud binding



④ Self-inspection



⑤ Self-testing



⑥ Self-test completed



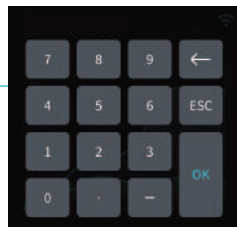
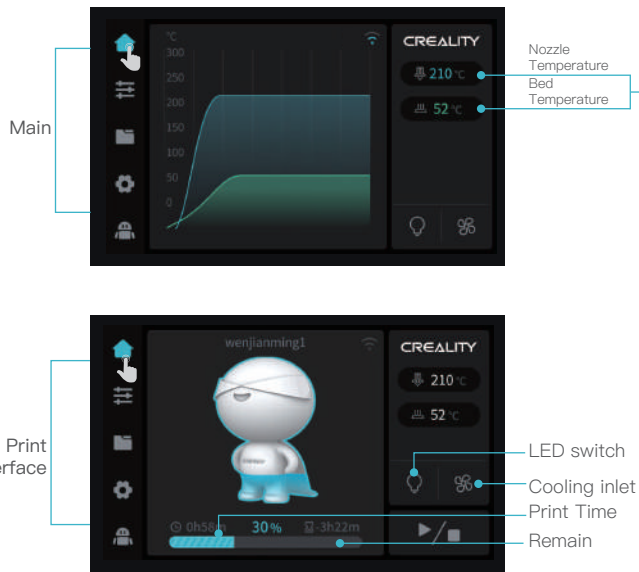
Reminder: When the printing time of the device exceeds 300 hours, or if the printing platform or nozzles have been replaced, the distance between the platform and nozzles may change that caused the first layer of the model may not stick firmly, resulting in printing failure. Please calibrate the platform regularly.



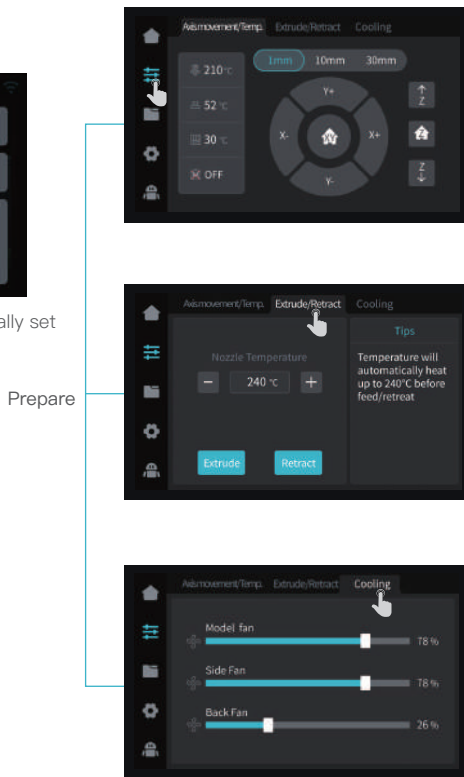
Note: The current interface is for reference only. Due to the continuous upgrading of functions, it shall be subject to the latest firmware UI published on the official website.

3. About the User Interface

3.1 Tune、Prepare



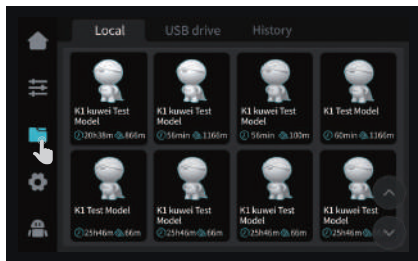
Parameters can be manually set



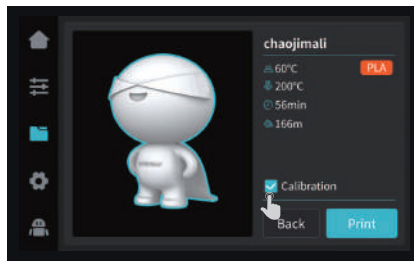
Note: The current interface is for reference only. Due to the continuous upgrading of functions, it shall be subject to the latest firmware UI published on the official website.

3. About the User Interface

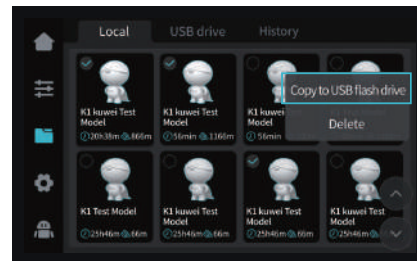
3.2 Files



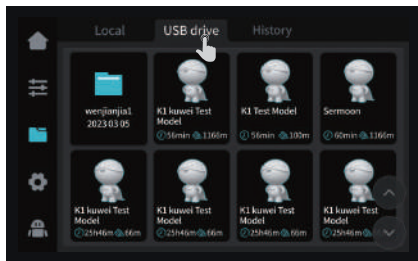
① Local model



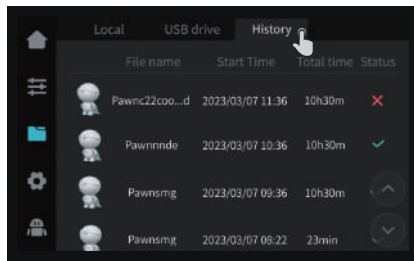
Tips: Choosing print calibration can improve print quality



② Press and hold on the model to multi-select and copy it to a USB flash drive



③ USB flash drive model



④ History

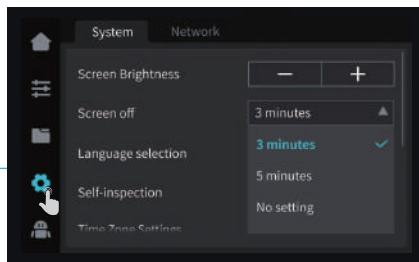


Note: The current interface is for reference only. Due to the continuous upgrading of functions, it shall be subject to the latest firmware UI published on the official website.

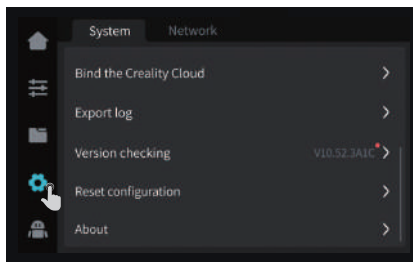
3. About the User Interface

3.3 Tune、Support

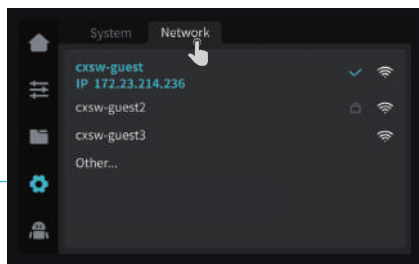
Tune



System



System

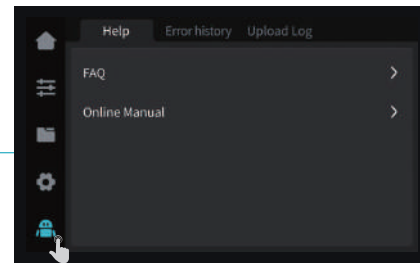


Network

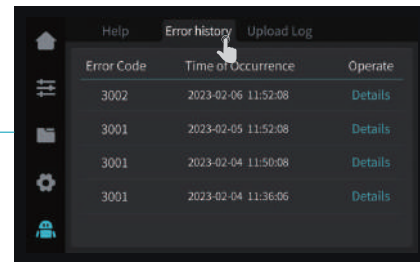


Note: The current interface is for reference only. Due to the continuous upgrading of functions, it shall be subject to the latest firmware UI published on the official website.

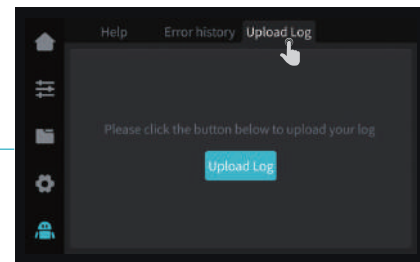
Support



Help



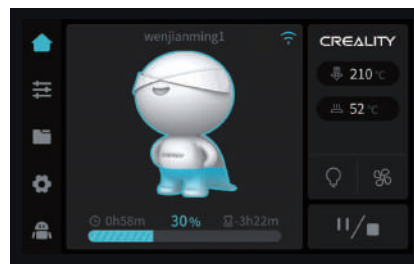
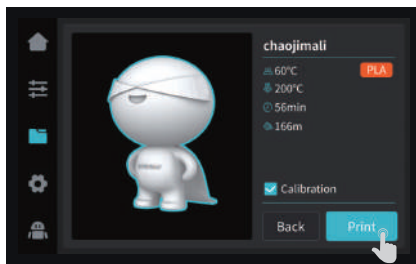
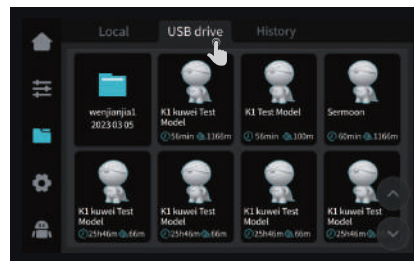
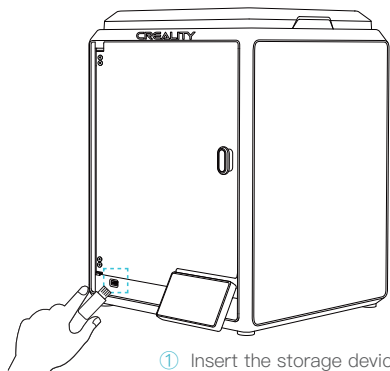
Error history



Upload Log

4. First Printing

4.1 USB flash disk Printing



Note: The current interface is for reference only. Due to the continuous upgrading of functions, it shall be subject to the latest firmware UI published on the official website.

4. First Printing

4.2 LAN Printing

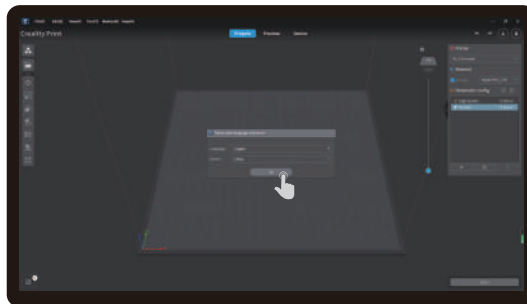
Creality Print



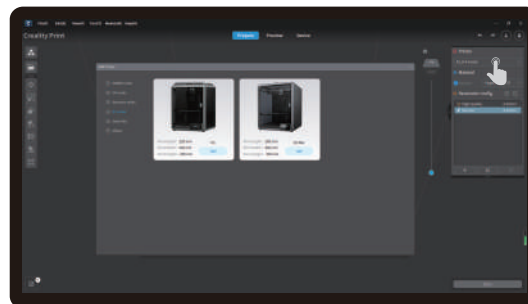
① Download at (www.crealitycloud.com) or find the software on a USB flash drive and install it.



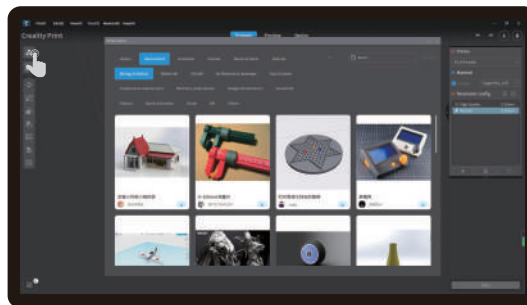
Tips: the computer must be in the same local area network as the printer



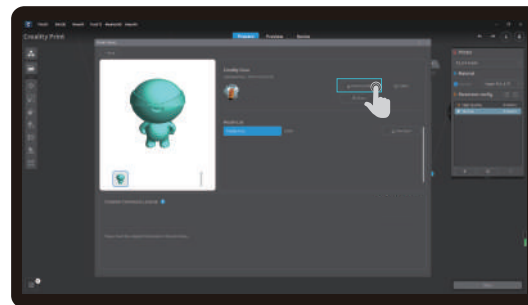
② Choose a language and region;



③ Choose a Printer;



④ Click on "Model Library" and select the model file;



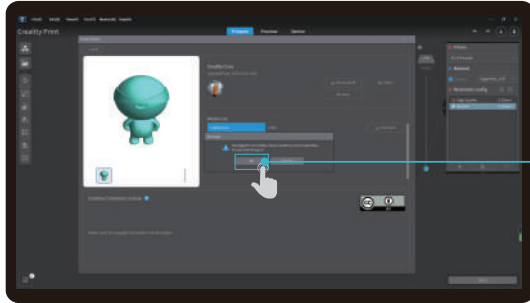
⑤ Select to download the model;



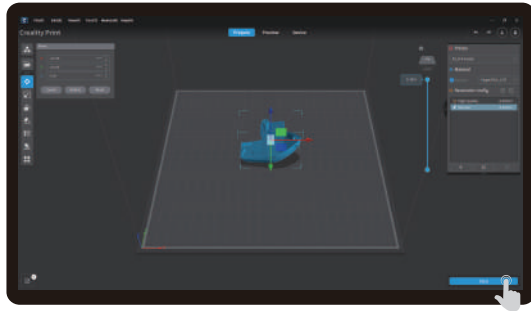
Note: The current interface is for reference only. Due to the continuous upgrading of functions, it shall be subject to the latest firmware UI published on the official website.

4. First Printing

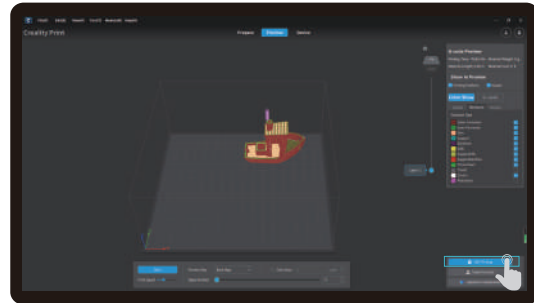
4.2 LAN Printing



⑥ Log into a Creality Cloud account;



⑦ Start slicing;



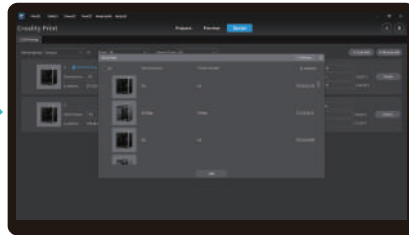
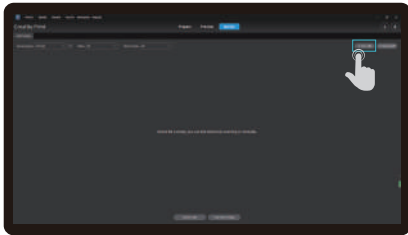
⑧ Selection of LAN printing;



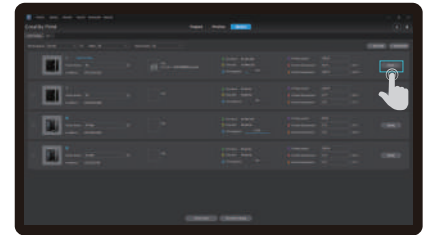
Scan the QR code and download the app

4. First Printing

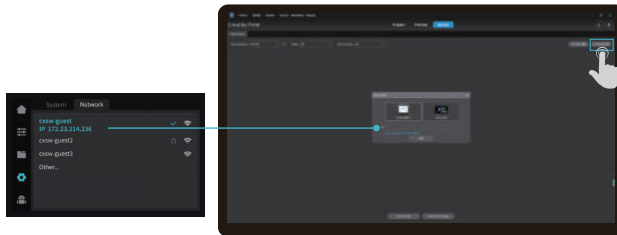
4.2 LAN Printing



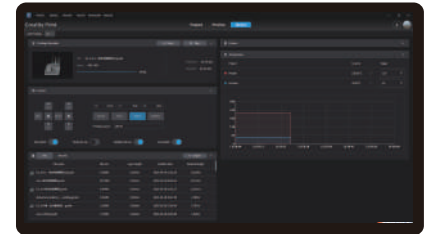
⑨ Add a device: a. Add by scanning;→Select a device;



⑩ Device List;



⑨ Add a device: b. Add a device by manually entering the IP address;

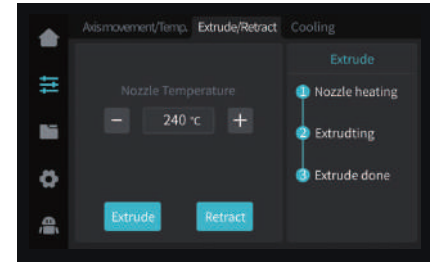
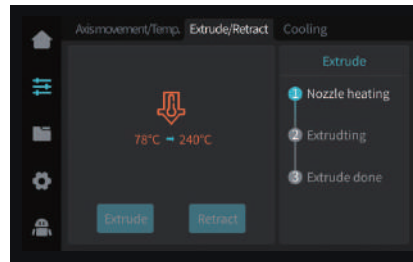
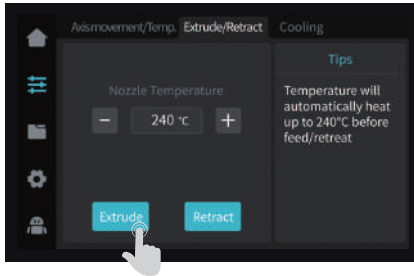


⑪ Device Details.

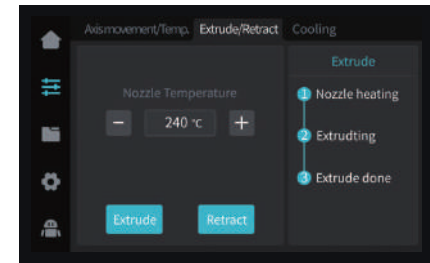
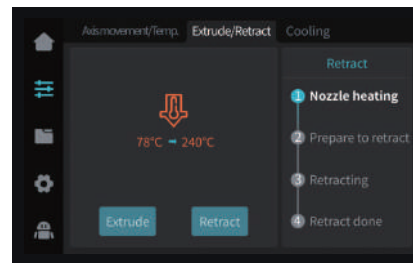
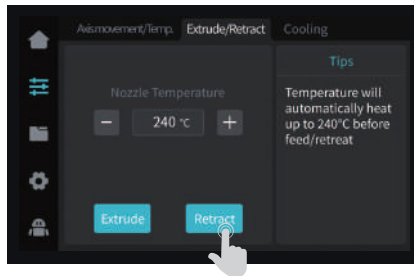
5. Functional Specification

5.1 Extrude, Filament Retreat

Extrude



Filament Retreat



Note: The current interface is for reference only. Due to the continuous upgrading of functions, it shall be subject to the latest firmware UI published on the official website.

6. Tips and Routine Maintenance

In the event that any of the above problems arise and cannot be resolved:

- ① Please visit <https://www.crealitycloud.com/product>, click “Products” and select the right model, and then click “Related” to view the tutorials on after-sales service;
- ② Or contact our after-sales service center at +86 755 3396 5666, or send e-mail to cs@creality.com.

6.1 Maintenance Items

	Maintenance instructions	
Machine cleanup	Clean the debris inside the machine to ensure that its operation is not affected.	Before each print
Hot end	Solution to extruder blockage: After preheating and removing the filaments, raise the temperature of the extruder and poke into the extruder from top to bottom using an extruder cleaner until the blocked filaments are poked out.	After extruder blockage
	Replace the nozzle.	Cumulative print time per 500 hours
	Check if the wire output is normal, if not, please check if the extruder is blocked.	After each change of filaments
	Check the nozzle for filament residue, if so, heat the nozzle and remove it with a tool.	Before each print
Printing platform	Check the surface of the platform for residual filaments and glue, if so, clean the surface of the platform.	Before each print
Motion mechanism	XYZ optic axis lubrication.	Cumulative print time per 500 hours
Equipment self-test	Axis movement.	Cumulative print time per 300 hours
	Optimization of vibration veins.	
	Auto Leveling.	
Filament replacement	Replacement of filaments of the same kind: follow the normal Retreat – Feed process.	/
	Replacement of different filaments: Preheat the nozzle to reach the target temperature of the current filament; then retreat it, replace with the target filament, and preheat the nozzle to the higher filament extrude temperature of the two filaments; feed for 30s until the filament has been completely extruded, and finally set the nozzle temperature to the temperature of current filament nozzle.	

6. Tips and Routine Maintenance

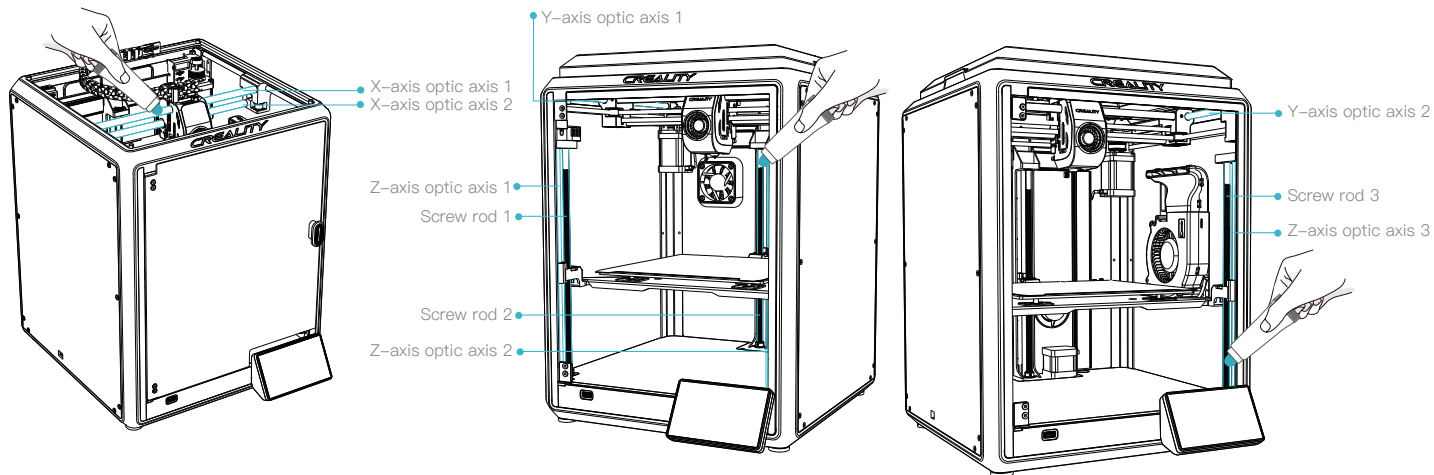
6.2 Error code descriptions

Error code descriptions	Parameters
E0001	Motor drive exception
E0002	Internal errors
E0003	Communication failure
E0004	Not heated as expected
E0005	Hotbed temperature anomaly
E0006	Extruder failure
E0007	Exception for printing file coordinates
E0008	Print quality problems are detected and printing is suspended
E0200	Unknown error is detected in printing
E0201	Temperature anomaly in the temperature cavity
E0203	Vibration vein optimization sensor failure
E0204	Fan anomaly
E0205	Network anomaly
E0206	Printing quality problems are detected
E0207	z-Touch exception is detected, please try again
E0208	File copy exception is detected, please try again
E0500	Unknown exception

6. Tips and Routine Maintenance

6.3 Precautions for printing

6.3.1 Lubrication and maintenance

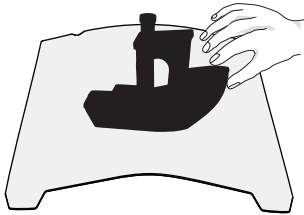


Tips: please grease and lubricate the designated areas regularly (as shown in the picture).

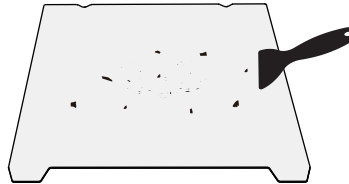
6. Tips and Routine Maintenance

6.3 Precautions for printing

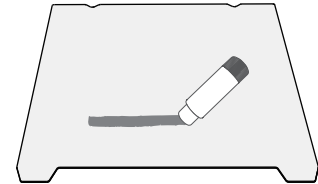
6.3.2 Use and maintenance of flexible platform



① Together with the flexible platform after the printed model has been cooled down Remove from the device and partially bend the platform slightly to separate the model from the platform.(No excessive bending of the platform to prevent it from being deformed and unusable)

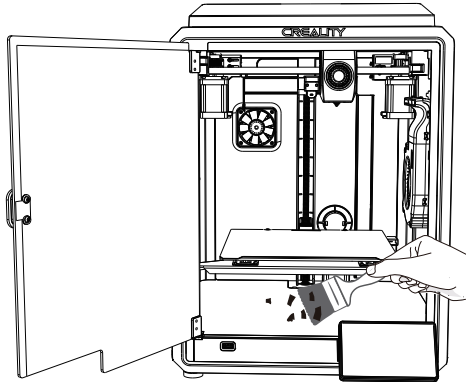


② The residue of the platform filaments can be scraped off with a blade. Be cautious of safety when using.



③ When the first layer of the model is not glued, it is recommended to apply glue stick evenly on the surface of the platform.

6.3.3 Cleaning of debris inside the chassis



Reminder: Since the printing platform is quick-wear, it is recommended to replace the printing platform regularly to ensure that the first layer of the model is adhered.

FCC Caution:

Any Changes or modifications not expressly approved by the party responsible for compliance could void the user's authority to operate the equipment.

This device complies with part 15 of the FCC Rules. Operation is subject to the following two conditions: (1) This device may not cause harmful interference, and (2) this device must accept any interference received, including interference that may cause undesired operation.

IMPORTANT NOTE:

Note: This equipment has been tested and found to comply with the limits for a Class B digital device, pursuant to part 15 of the FCC Rules. These limits are designed to provide reasonable protection against harmful interference in a residential installation. This equipment generates, uses and can radiate radio frequency energy and, if not installed and used in accordance with the instructions, may cause harmful interference to radio communications. However, there is no guarantee that interference will not occur in a particular installation. If this equipment does cause harmful interference to radio or television reception, which can be determined by turning the equipment off and on, the user is encouraged to try to correct the interference by one or more of the following measures:

- Reorient or relocate the receiving antenna.
- Increase the separation between the equipment and receiver.
- Connect the equipment into an outlet on a circuit different from that to which the receiver is connected.
- Consult the dealer or an experienced radio/TV technician for help.

FCC Radiation Exposure Statement:

This equipment complies with FCC radiation exposure limits set forth for an uncontrolled environment.

This equipment should be installed and operated with minimum distance 20cm between the radiator& your body.

Since each model is different, the actual product may be different from the picture. Please refer to the actual product.
The final interpretation right belongs to Shenzhen Creality 3D Technology Co., Ltd.



SHENZHEN CREALITY 3D TECHNOLOGY CO., LTD.

Add:18th Floor, JinXiuHongDu Building, Meilong Road, Xinniu Community,
Minzhi Street, Longhua District, Shenzhen City, China.

Official Website: www.creality.com

Tel: +86 755-8523 4565

E-mail: cs@creality.com

