

# ADVENTURER 4



# EFFICIENT, POWERFUL, SIMPLICITY, SAFETY

It is a 3D printer with more applications and better experience. Equited with new design components and the latest technical specifications, making more efficient use of 3D printing, while empowering design innovation and integrating it into public life.

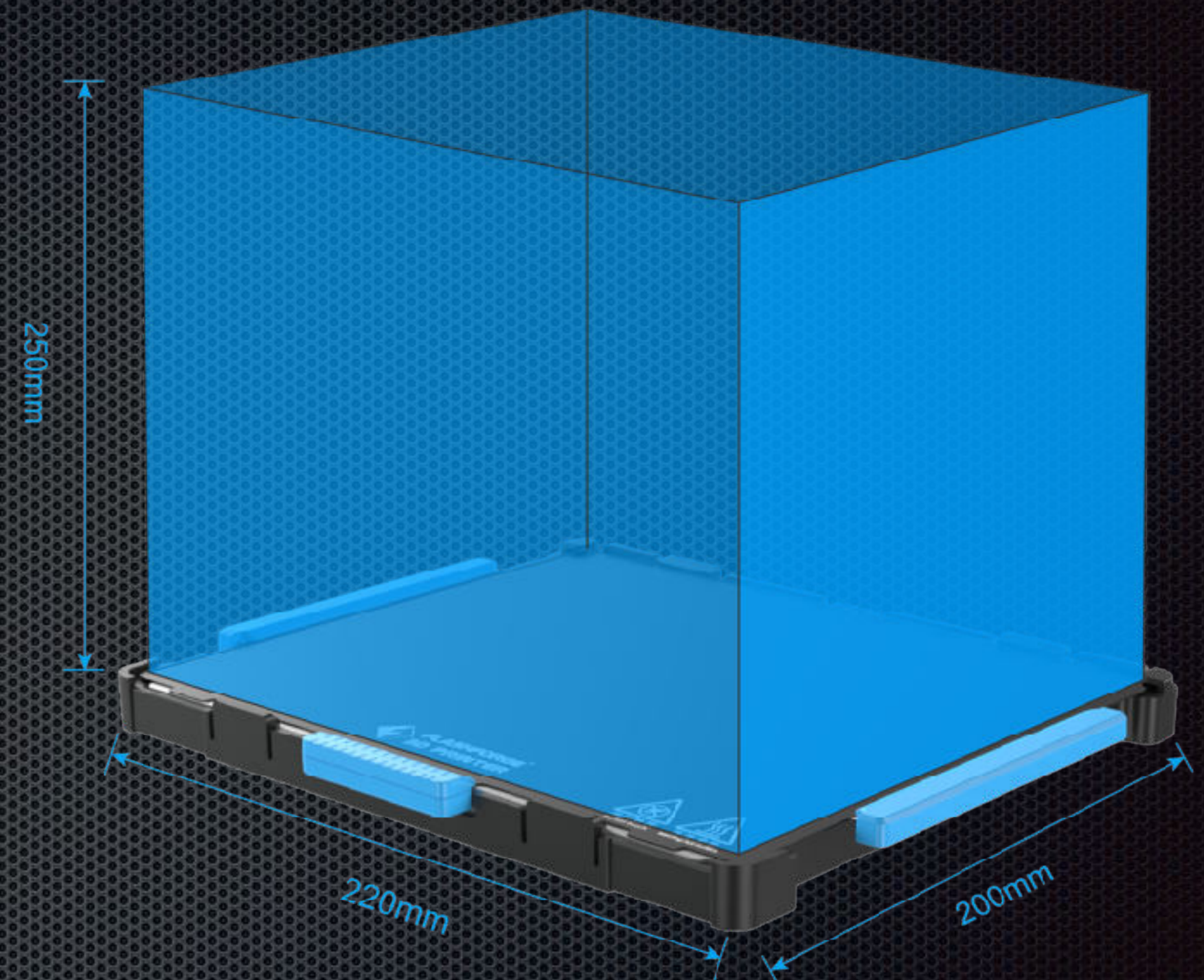
# Faster, Larger, Power than ever before.

It is the next-generation powerful 3D printer, stand out features include a HEPA Filter, resume printing function, Professional level flexible removable heated print surface, built in camera, filament run out sensor, whisper quite operation, wi-fi and cloud connectivity plus the ability to easily monitor and manage multiple 3d printers at once thought the new design software. It is the ideal choice for print farms the office users and classrooms. With a 220\*200\*250mm build volume, it is like a work assistant, make life and work highly efficient.



220\*200\*250mm

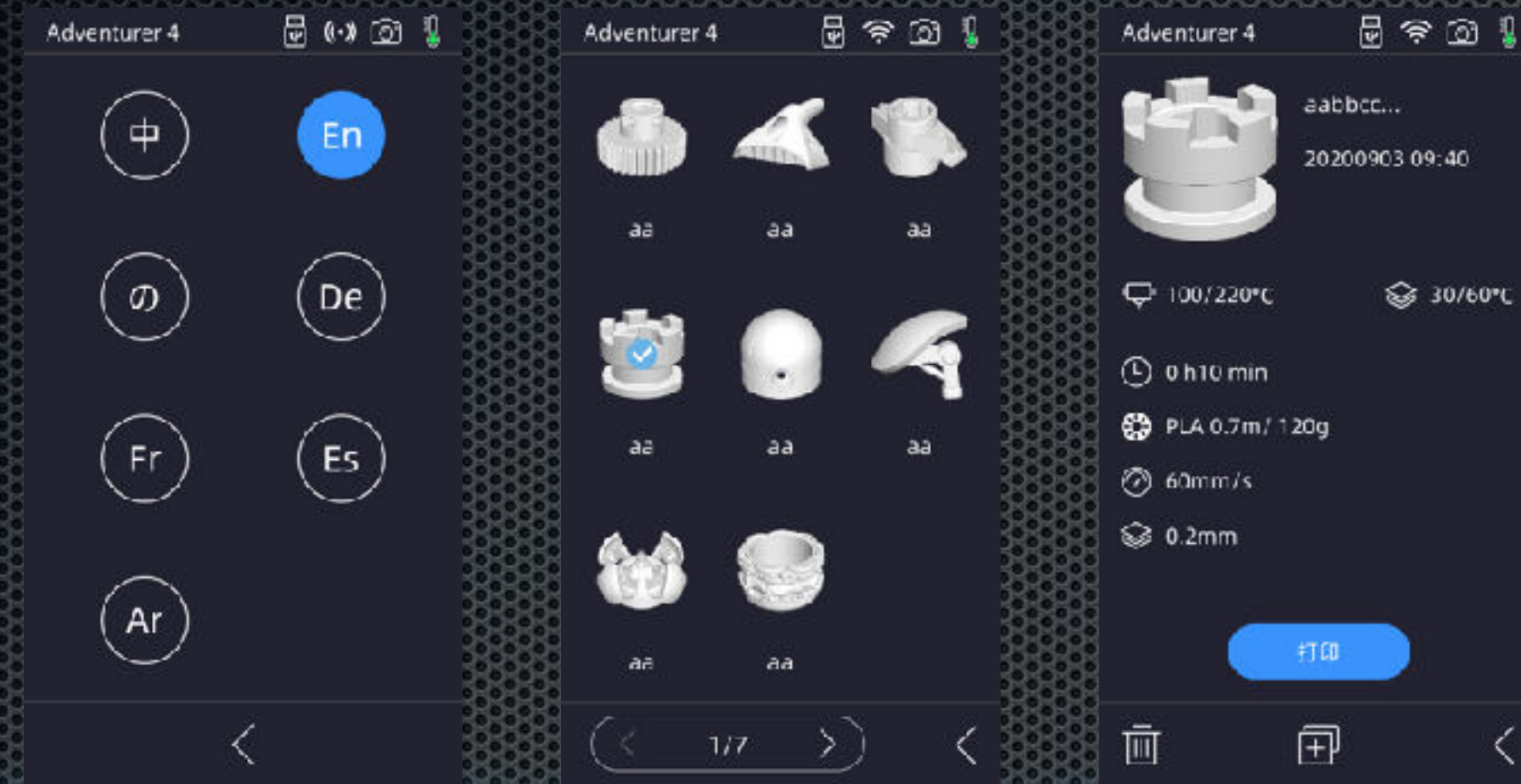
Build volume



**325% expand**

build volume vs Adventurer 3

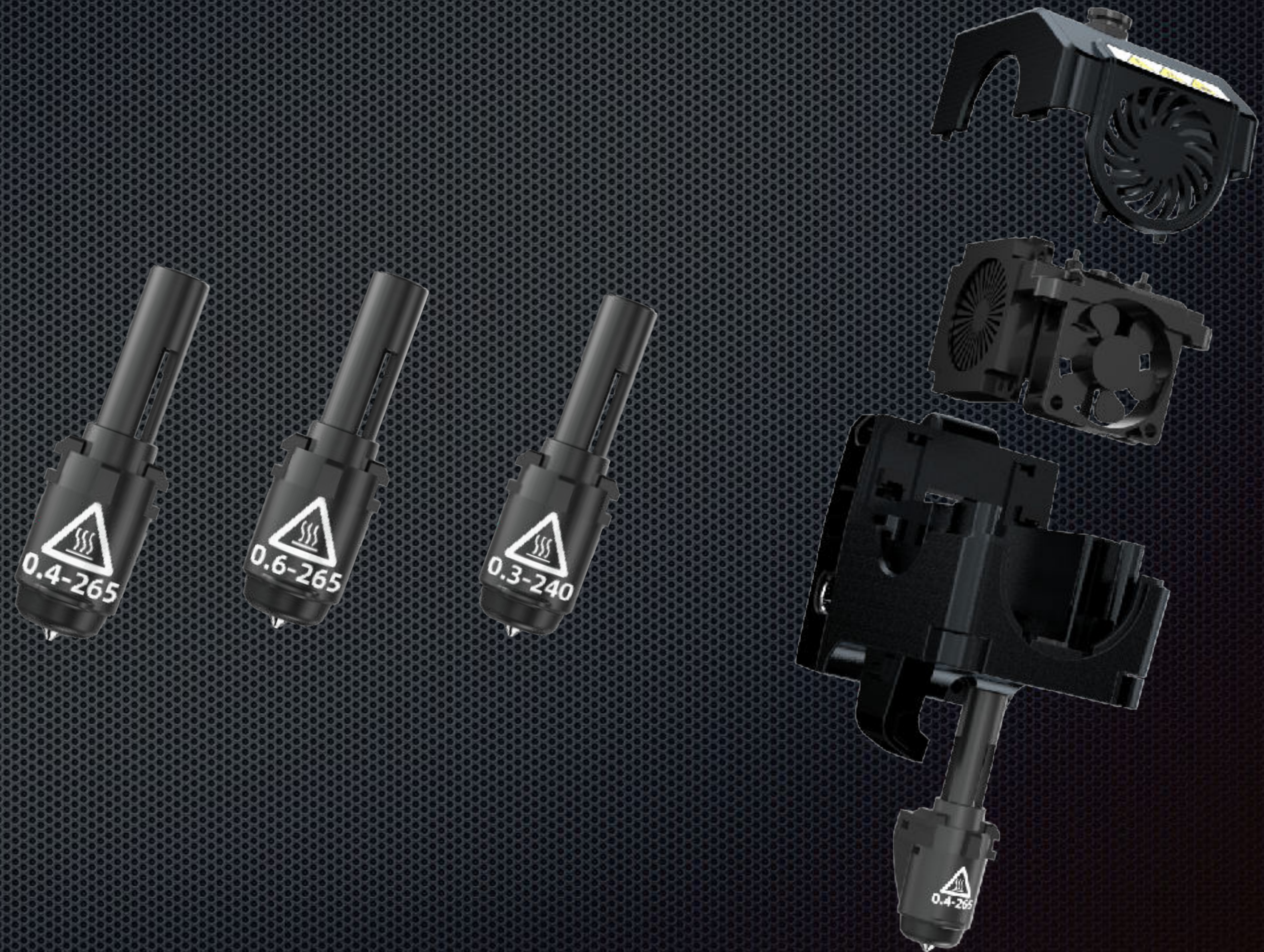
## 4.3 in HD(800\*480) Color Touch Screen



That allows you easily and intuitively to operate the device. Available in English ,Chinese,Korean,Japanese,German,Spanish,French with a simplified and smart interface, ensures user experience always equates to smooth sailing!

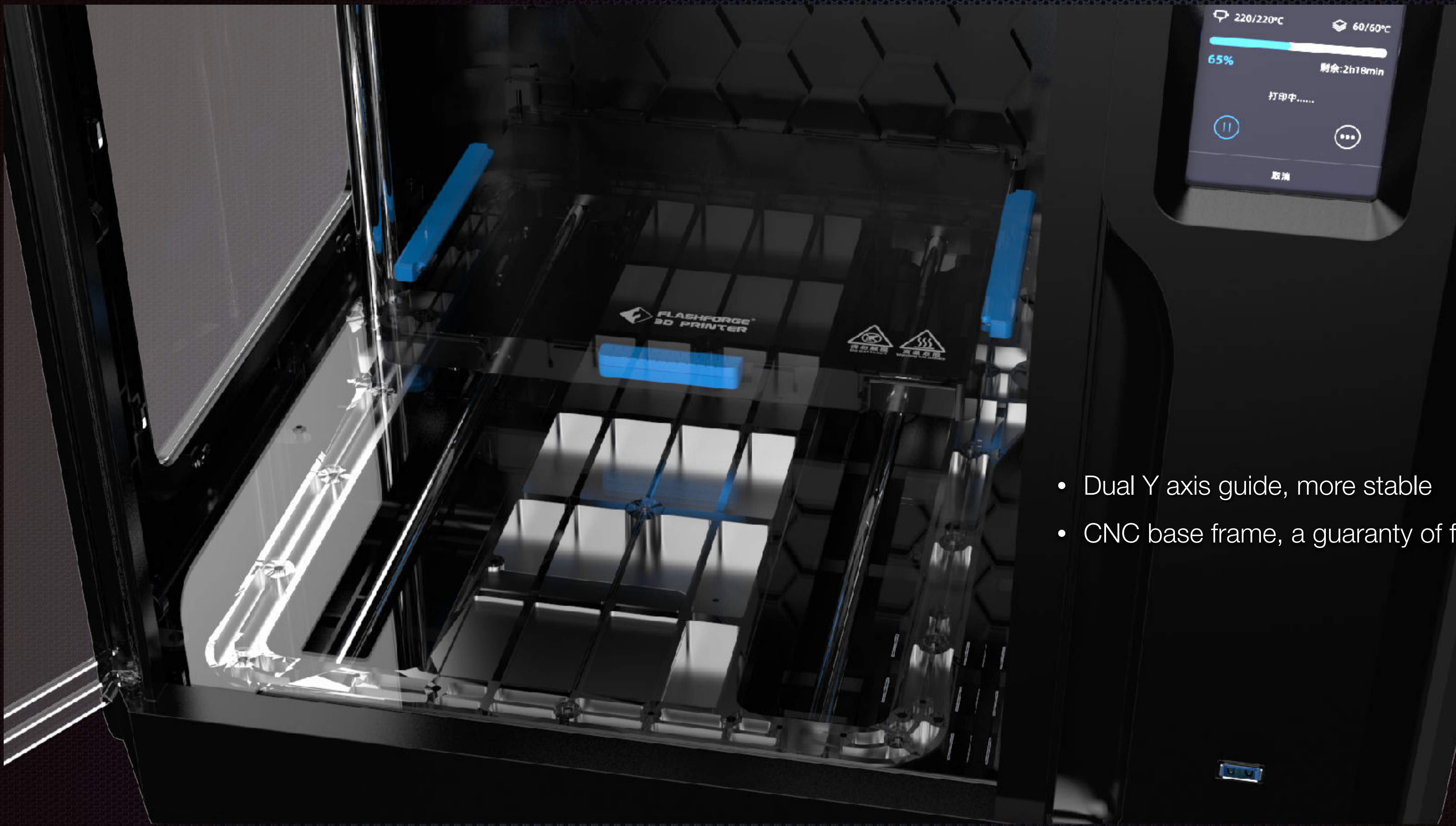
# Modular design extruder

- Remove nozzle just in one clip less than 5 seconds , easy to change 0.3mm or 0.6mm nozzle.
- Maximum printing temperature at 265°C
- PLA/ABS/PC/PETG/PLA-CF/PETG-CF
- Easy to maintenance
- Dual fan control, cooling better



# Leveling Free

- New design build plate, more stronger, more flatness!
- 8mm CNC Aluminum plate give a guaranty of flatness.
- 9 point leveling compensation
- Two guides create a stable moving condition.

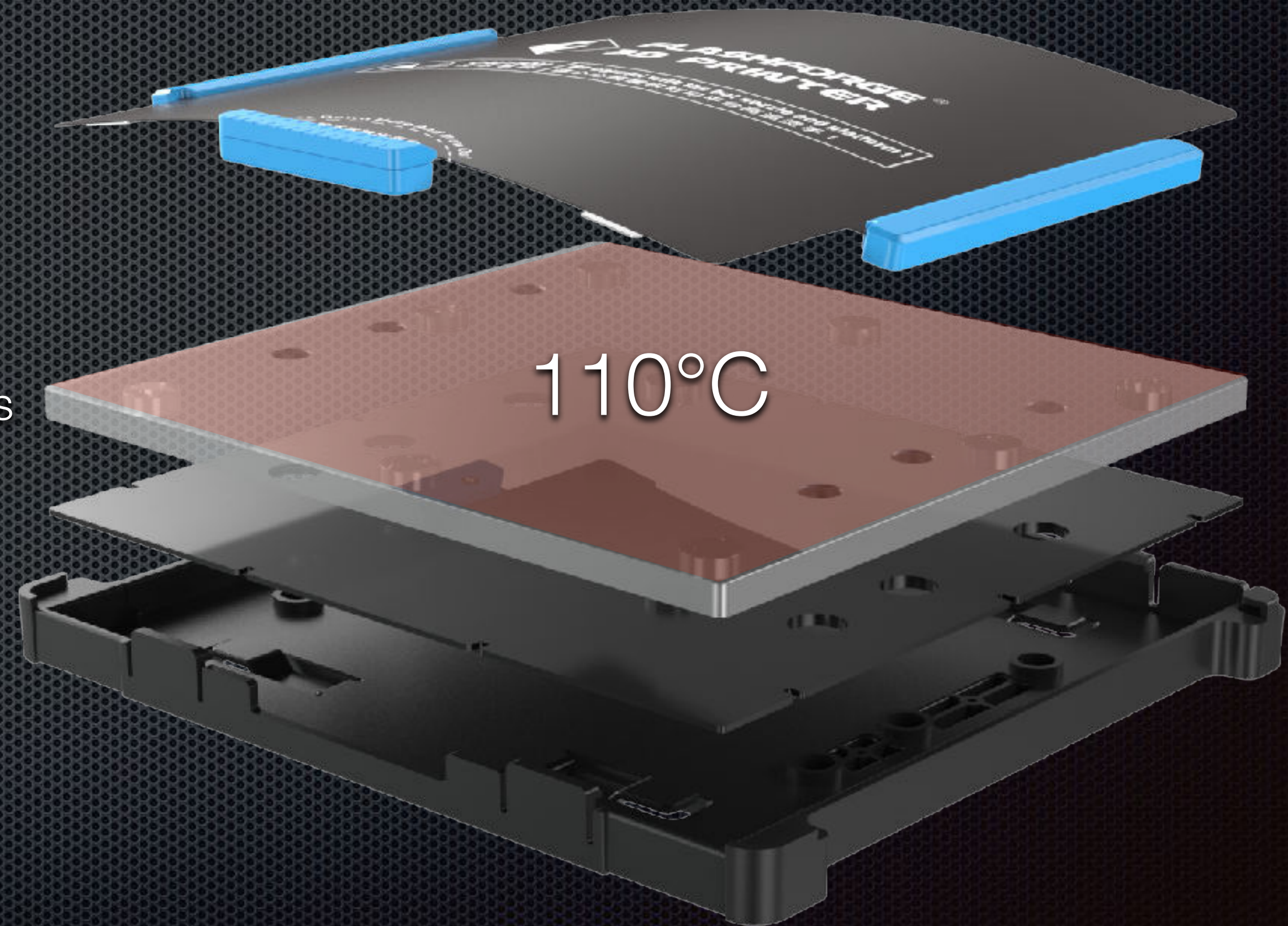


- Dual Y axis guide, more stable
- CNC base frame, a guaranty of free leveling



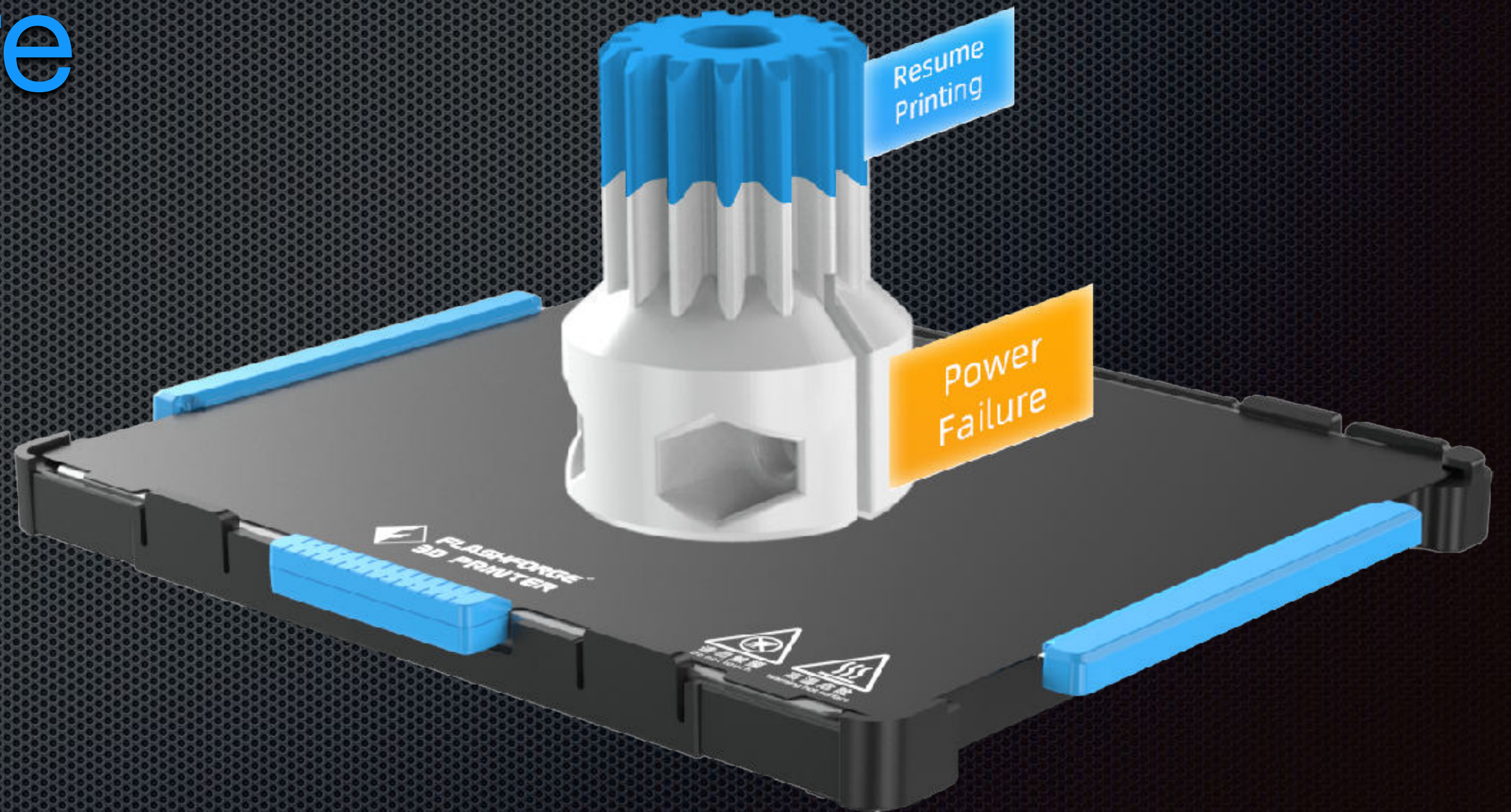
# Easy to remove model

- Spring flexible plate ensures remove the model in 2 seconds;
- The bed can be heated to 110°C which enables the Adventurer 4 to be capable of printing engineering materials such as ABS/ PETG/PC



# Don't have to worry about power outages anymore

In the event of a power failure during the print process, automatically detect power-loss, once power is resumed the printer shall prompt you to resume where it left off.



**150mm/s**

Printing speed



# Multi -Communication

3D Cloud, an integral 3D printing resource platform - Get free storage(register online), backup and share files, interact with other users, automatically slice print files, free model database; online management - transfer, monitor, and manage multiple printers effortlessly



- Wifi control



- USB Stick



- Cloud printing



- 8g memory

# Camera Monitor



- Send files to the Adventurer 4 from anywhere in the world.
- Live stream or record 3D prints.
- The time-lapse video looks back the print record.
- Users can remotely monitor, control, send files directly to the Adventurer 4 via a Cloud Based interface from any web enabled smart device or in flashprint software.

# *Shelf management*

## *More clearer workflow for print farms*

- According to material or business, group adventurer 4 and manage them at the same time.
- Check the status, slice files, check the status of multiple machines from the one interface.
- No need to walk to the side of device to check the state of printing, in your computer you can check all the things through the Flashprint software.

# Groups printers by new slice software

The image displays the FlashPrint software interface, which is used for slicing 3D models and controlling multiple printers. The main window shows a 3D model of a spherical object on a grid. A sidebar on the left lists models, with 'Core\_Independent.stl' selected. A '开始切片' (Start Slicing) button is visible. Below the model, there is a '设备选型: 选择设备与距离' (Equipment Selection: Select device and distance) dropdown and a 'Creator 3 - 0.6' button. A '多设备控制' (Multi-device Control) window is overlaid, showing a table of printer groups and their status. The table has columns for group name, IP address, printer model, size, and progress. The first two groups are 'Creator 4' with IP 192.168.0.115 and 192.168.0.116, both showing 60% and 30% progress respectively. The third group is 'Creator 4' with IP 192.168.0.117, showing '空闲中' (Idle). The fourth group is 'Adventurer 3-B' with IP 192.168.0.118, also showing '空闲中'. A '参数设置' (Parameter Settings) window is also open, showing various printer parameters such as '桥面积积值' (Bridge area value), '速度' (Speed), '出丝量' (Extrusion amount), '路径宽度' (Path width), and '路径精度' (Path accuracy). The 'FlashPrint' logo is visible in the top right corner of the main window.

组1	组2	组3	+				
<input type="checkbox"/> 全选	<input type="checkbox"/> 连接打印机	<input type="checkbox"/> 断开连接					
<input checked="" type="checkbox"/> Creator 4	192.168.0.115	L200/200 R: 30/30	40/0	60%	<input type="checkbox"/>	<input type="checkbox"/>	<input type="checkbox"/>
<input checked="" type="checkbox"/> Creator 4	192.168.0.116	200/200	30/0	30%	<input type="checkbox"/>	<input type="checkbox"/>	<input type="checkbox"/>
<input type="checkbox"/> Creator 4	192.168.0.117	30/30	100/100	空闲中.....	<input type="checkbox"/>	<input type="checkbox"/>	<input type="checkbox"/>
<input type="checkbox"/> Adventurer 3-B	192.168.0.118	30/30	30/100	空闲中.....	<input type="checkbox"/>	<input type="checkbox"/>	<input type="checkbox"/>

- smooth operation;
- More experts set
- G file preview function
- Groups printers
- slicing software can directly monitor the modification of equipment parameters

More details focus



# Environment Friendly

Full enclosure

HEPA 13 air filter

2 way compound filter consisting of 80\*80mm HEPA 13 / Carbon Filter and Activated Charcoal Filter to reduce Odor and VOCs down to 0.1 microns generated whilst 3D printing. Ideally suited to classroom and domestic environments.





# 50 Decibel

It is achieved through the combination of a full enclosure and a near silent motion system, making it the ideal choice for home users , as well as print farms and multiple machine classroom environments.

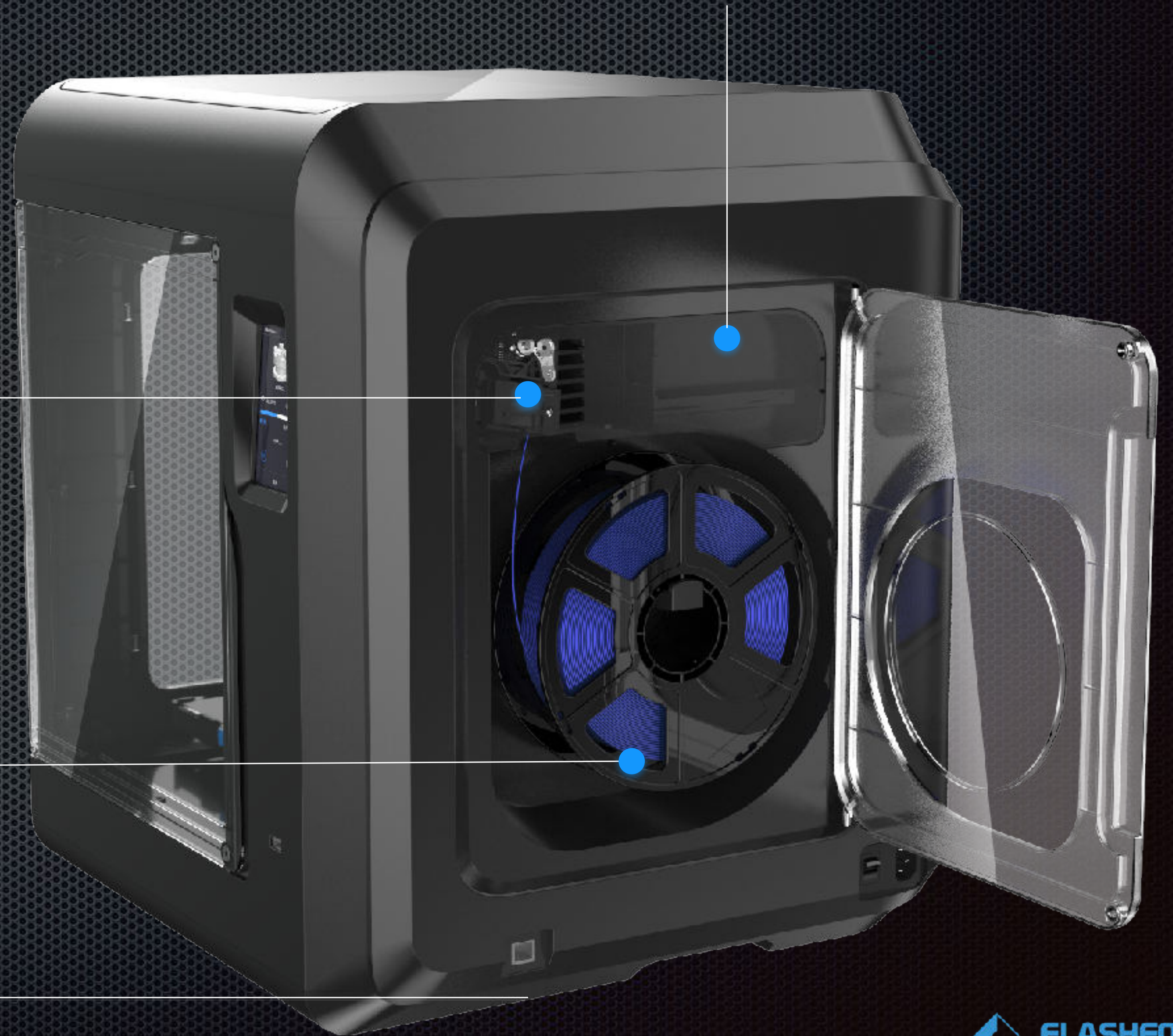
# Details

Tool storehouse is more convenient and quickly to get the tools for maintenance

Equipped with a filament runout sensor, those who are looking to print a large object can now print without fear. This will prevent unfinished prints and “air printing”. Once it realizes that the filament has run out, the touchscreen will notify you to load a new filament and allow you to resume printing immediately.

Auto filament feeding with an enclosed built-in filament cartridge;  
open filament;  
1KG Filament spool holder

Standby low power consumption design



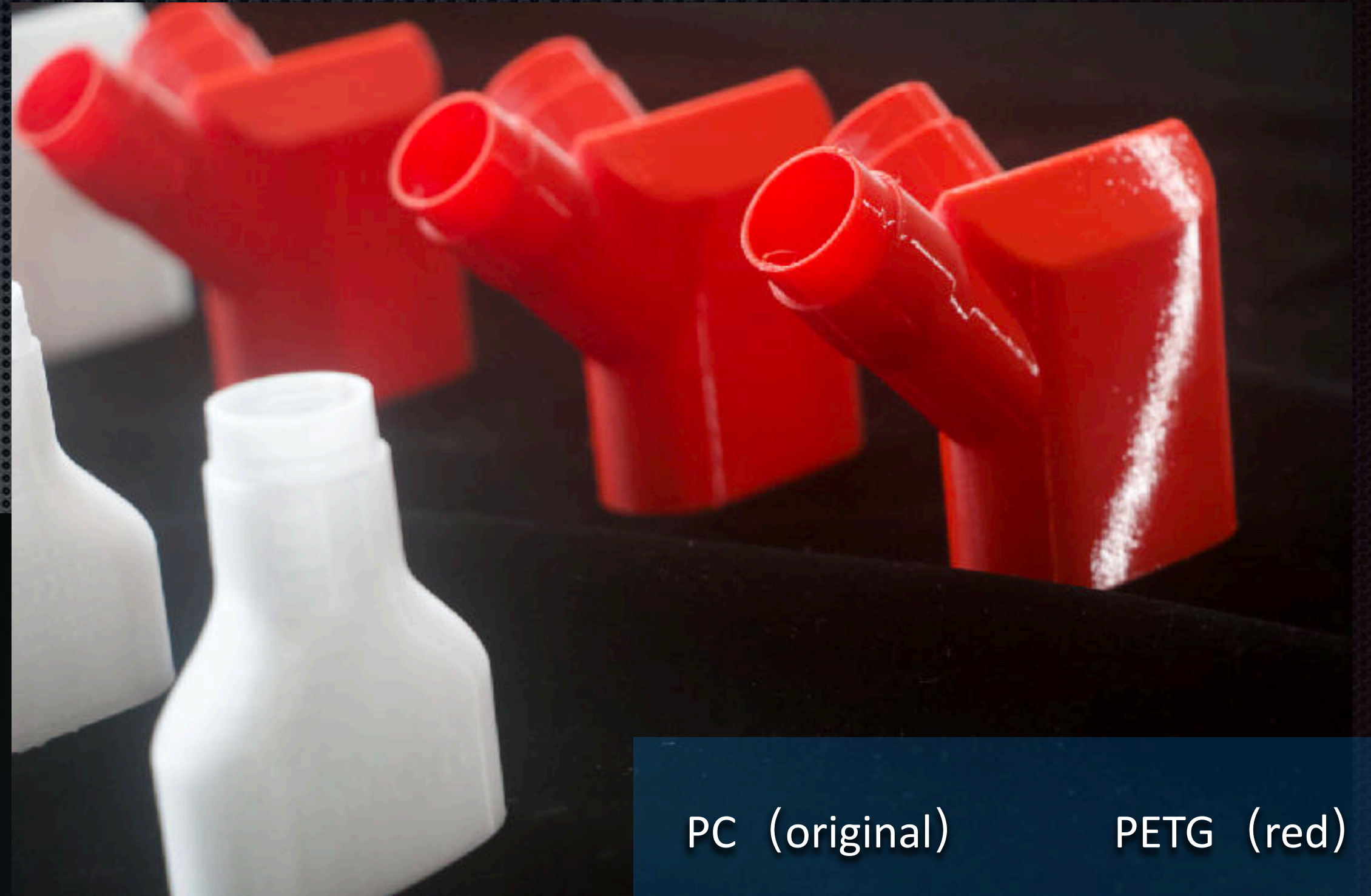
# PLA-CF/ PETG-CF



The requirements of toughness, durability or high temperature resistance of mechanical parts, as well as the surface finish or delicate texture of artistic creativity. AD4 is a strong supporter



A glossy surface of the model



PC (original)

PETG (red)

PLA- galaxy matte





PLA-CF



ABS



Silk-White



Silk



PETG-PRO



Galaxy Matte

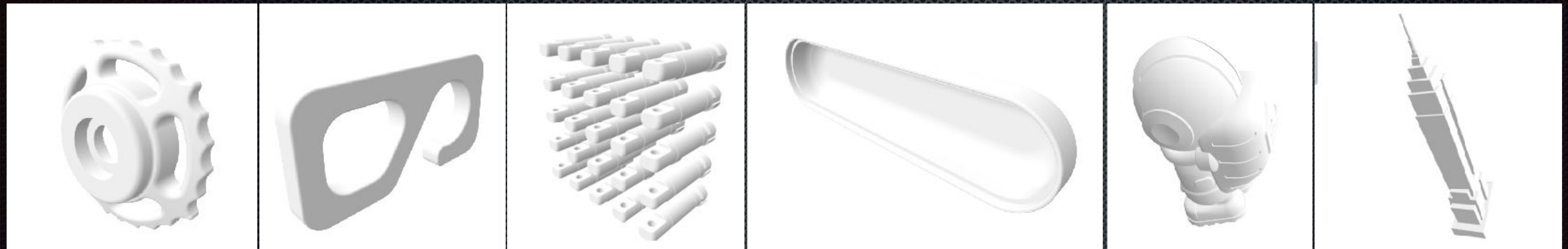


PC



PETG-CF

# Wide range of applications



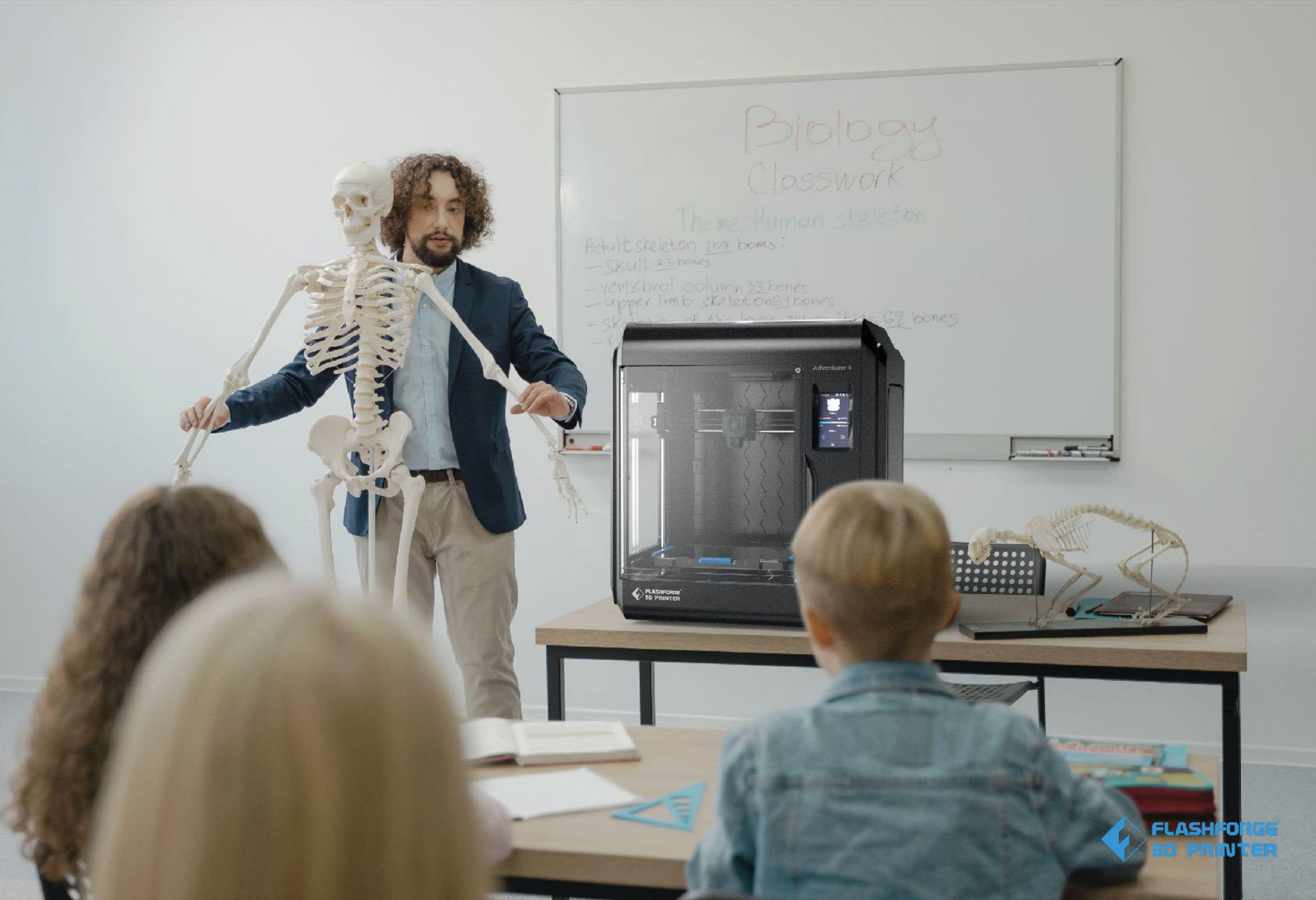
From engineering work needed mechanical parts, creative design, repair the daily objects, making the toys for children or education tool, Adventurer 4 making it available to every creative mind out there.



*workshop*

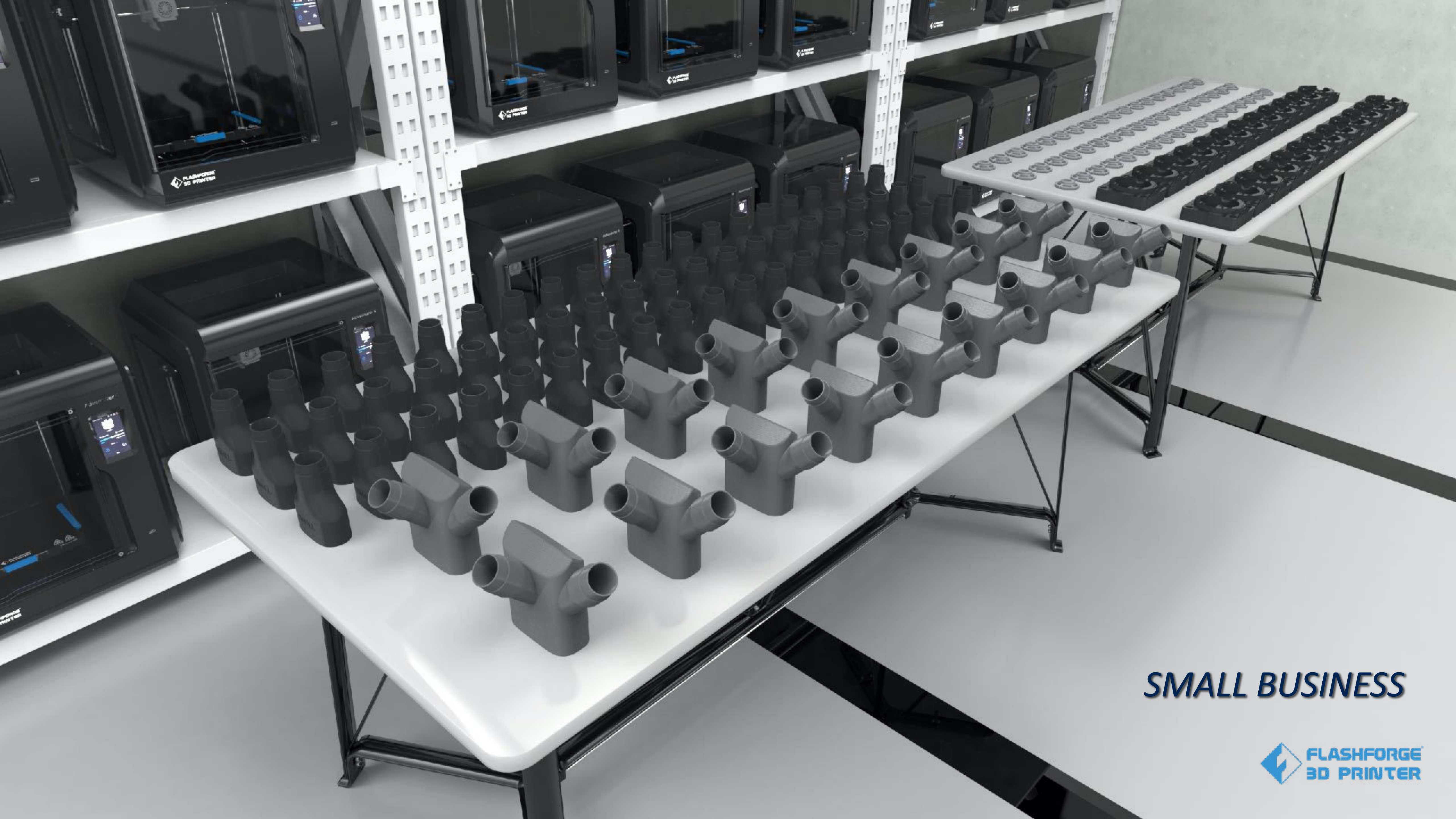


EDUCATION



LEARNING





***SMALL BUSINESS***

