



A WORLD LEADER IN FUME  
EXTRACTION TECHNOLOGY

# 3D PrintPRO 2

Last Updated on 02.02.2022



For open framed 3D printers.

The BOFA 3D PrintPRO 2 is a low-cost unit, which filters fumes generated by an open-framed 3D printer without causing the filament deposition area to be cooled.

It has the benefits of low noise level and minimal power consumption. Each unit can be supplied with a connection hose, 'stay put' arm and conical shaped funnel.

Print your own extendable manifolds 3D drawing files can be found at: [bofainternational.com/en/print-your-own](http://bofainternational.com/en/print-your-own)

## Technology



HEPA filter



Advanced carbon filter (ACF) technology



Multi voltage sensing unit (MVS)



ProTECT service plan



SureCHECK quality standard

## Key features of the 3D PrintPRO 2

**Filter change indicator**  
Standard

**Hose kit included**  
Optional

**Powder coated for durability**  
Standard

**Compact size**  
Standard

**3 level filtration - pre, HEPA and chemical filters**  
Standard

**Low noise level**  
Standard

**Small footprint**  
Standard

**24V remote stop/ start interface**  
Optional

## Technical specification

1. Filter change indicator

2. On / Off switch

3. Feet

4. Power cable inlet

Contact BOFA at <https://bofainternational.com/en/contact/>  
<https://bofainternational.com/en/portal/datasheets/3d-printpro-2/>

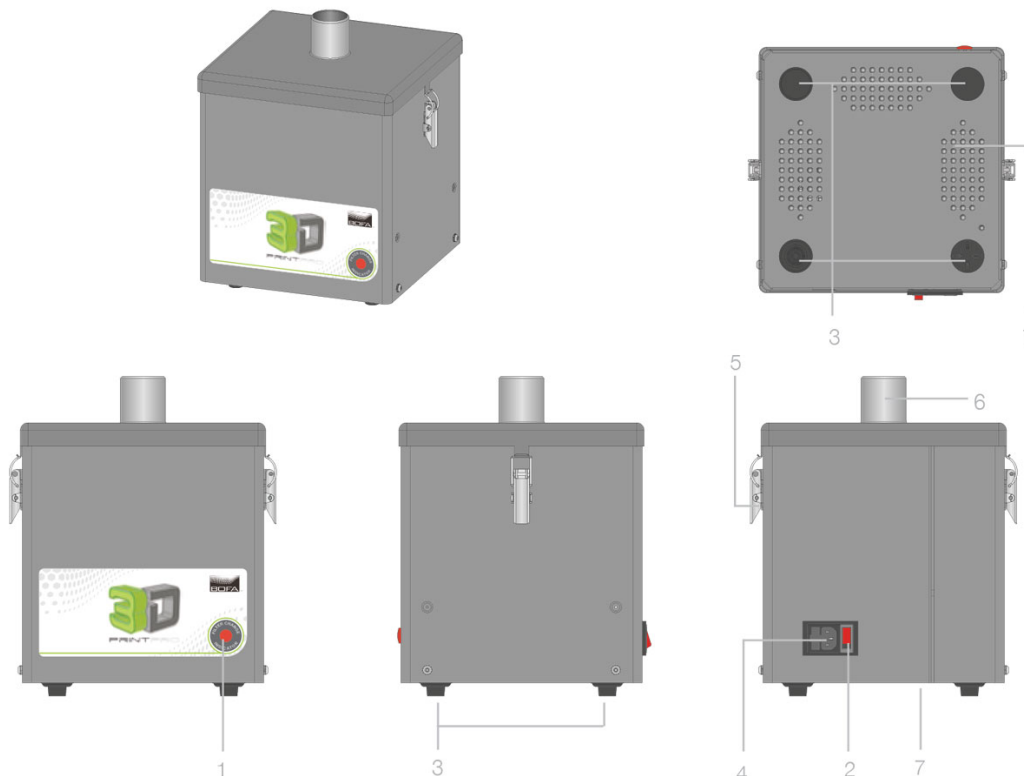


Approvals: REACH and RoHS. See individual product technical data for specific accreditations

5. Lid fastening latches

6. Hose inlet connections - 50mm

7. Exhaust outlets



### Optional Hose kit technical specification

1. Funnel

2. 50mm 'stay put' arm

3. Fliptop mount

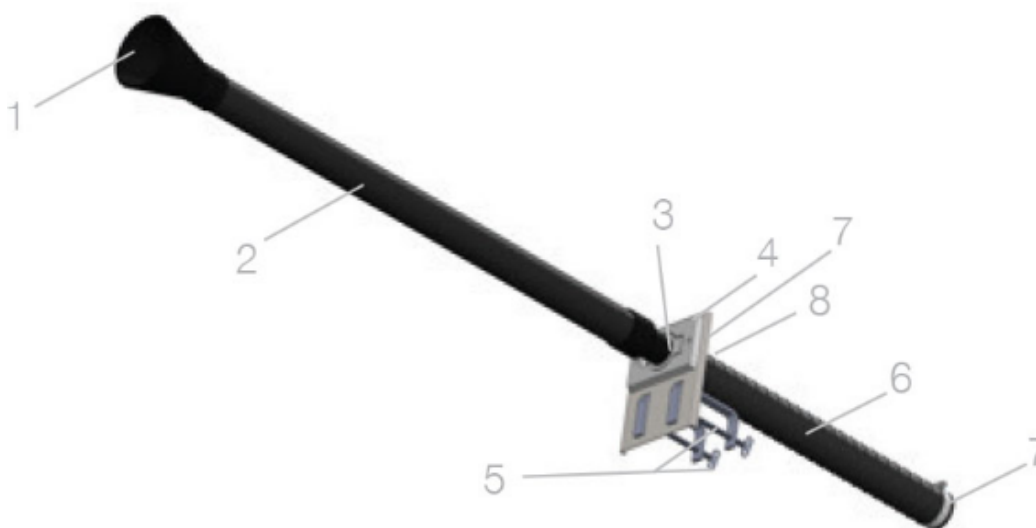
4. Table bracket

5. 2 x 'G' clamps

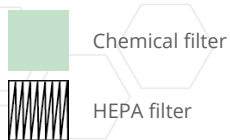
6. 60mm flexible hose

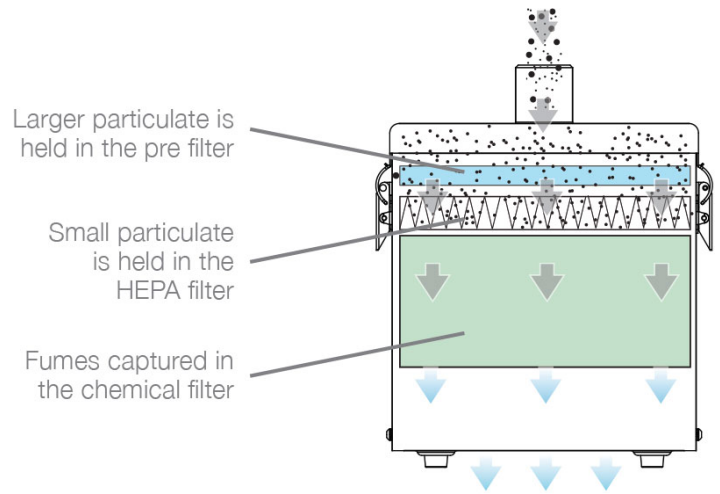
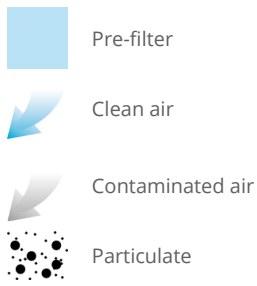
7. 2 x jubilee clamp

8. Shut off valve



### Airflow through filters





### Technical data

	EU	US
Dimensions (HxWxD)	330 x 290 x 270mm	12.99 x 11.42 x 10.63"
Cabinet construction	Powder coated mild steel	Powder coated mild steel
Airflow / pressure	45m <sup>3</sup> /hr / 9mBar	26cfm / 9mBar
Electrical data	230v Single-phase 1~ 50/60Hz Full load current: 0.2 amps	115v 60/50Hz Full load current: 0.2 amps
Noise level	< 44dBA (at typical operating speed)	< 44dBA (at typical operating speed)
Weight	7.8kgs	17lbs
Approvals	UKCA and CE	UKCA and CE

### Pre-filter specifications

Filter media	Polypropylene
Filter media construction	Pad
Filter efficiency	96% @ 2 microns

### Combined HEPA / Gas filter specifications

HEPA filter media	Borosilicate
HEPA media construction	Maxi pleat construction with glue bead spacers
Gas filter	Treated activated carbon
Filter housing	Zintec mild steel
Filter efficiency	99.997% @0.3 microns

### Unit part numbers

Model	Part number	Optional 24v stop/start
3D PrintPRO 2 Powder coated	L5444-0000	A2001
3D PrintPRO 2 Powder coated + install kit & arm	L5444-0002	A2001

## Replacement filter part numbers

Model	Pre-filter	Combined HEPA/gas filter
3D PrintPRO 2	A1030102	A1030099

*Datasheet correct at time of publishing.*

*Where applicable, the carbon used in BOFA units is capable of removing a wide range of VOCs, however it is the responsibility of the user to ensure the carbon is suitable for their application. For specific applications, please contact us for details.*

**Important Notice:** *Many factors beyond the control of BOFA can affect the use and performance of BOFA products in a particular application, including the conditions under which the product is used. Since these factors are uniquely within the user's knowledge and control, it is essential the user evaluate the products to determine whether the product is fit for the particular purpose and suitable for the user's application. All products, product specifications, availability and data are subject to change without notice, and may vary by region or country.*

*Think before you print! Please consider the environment before printing this document.*

